

Ex in accordance with Atex directive II 3 GD c X (only for series 4440 ABS)

IIB 2 GD c T4 T135°C X



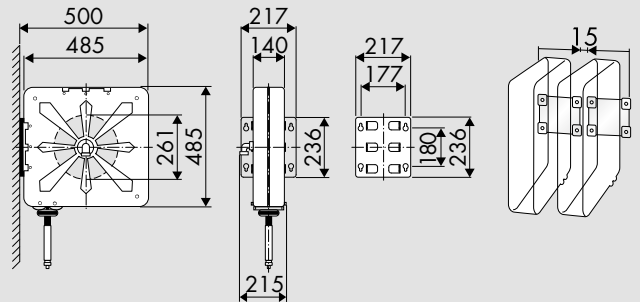
Supplied with:

- hose in black synthetic rubber with galvanized steel coupling
- swivel joint in brass or galvanized steel
- Viton® or Polyurethane seals
- central shaft in galvanized steel
- inlet hose from 0,6 m to 1m to connect the hose reel to the system (standard on the versions with hose)
- internal shock proof drum in painted steel or ABS

INDUSTRIAL HOSE REELS IN PAINTED STEEL

	P/N	Hose supplied	Connection	
			inlet	outlet
S. 440 150 bar	440/40	without hose	F 1/2"G	F 1/2"G
	440/41	10m 1/2" (963/11)	F 1/2"G	M 1/2"G
	440/42	15m 1/2" (963/15)	F 1/2"G	M 1/2"G
S. 440 SUCTION	440/41/AS	10m 1/2" (963/11)	F 1/2"G	M 1/2"G
S. 4440 ABS 150 bar	4440/40	without hose	F 1/2"G	F 1/2"G
	4440/41	10m 1/2" (963/11)	F 1/2"G	M 1/2"G
	4440/42	15m 1/2" (963/15)	F 1/2"G	M 1/2"G

OVERALL DIMENSIONS

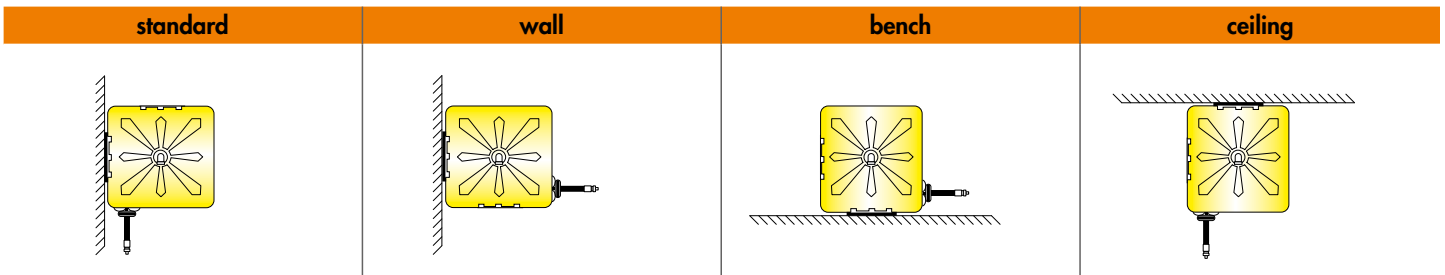


For the SWIVELLING version add the suffix "/SO" at the P/N.
For example: 440/40/SO

No.1 packing m³ 0,111 kg from 23 to 29

EXAMPLE OF INSTALLATION

There are 2 possible positions of the bracket allowing wall, bench or ceiling mounting



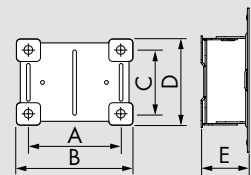
ACCESSORIES FOR HOSE REEL

P/N 900

Modular drip-tray, equipped with hook for gun and removable drip-tray. Applied under the hose reel, it is a handy holder for the delivery gun. Essential for a clean and orderly workplace



P/N 430/05	Painted steel swivelling bracket suitable for hose reels Series 430 - 4430 ABS
P/N 440/05	Painted steel swivelling bracket in steel suitable for hose reels Series 440 - 4440 ABS
P/N 530/05	Painted steel swivelling bracket in steel suitable for hose reels Series 530



P/N	A	B	C	D	E
430/05	162	208	118	165	94
440/05	162	208	118	165	94
530/05	162	208	118	165	94